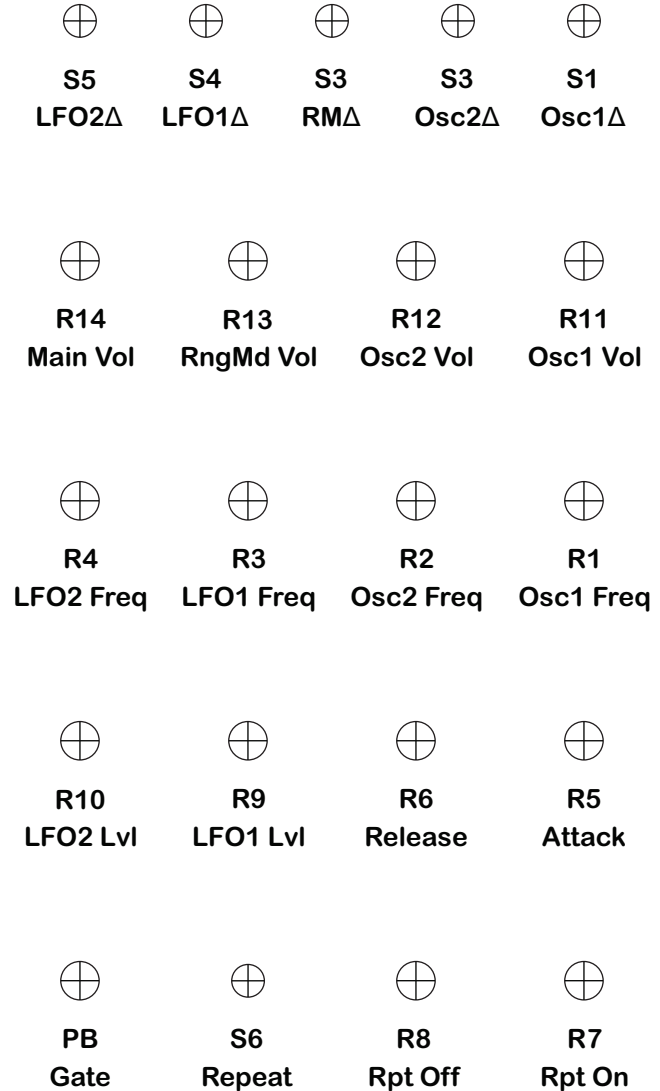


Switched On / Deltronics Synth Building Workshop

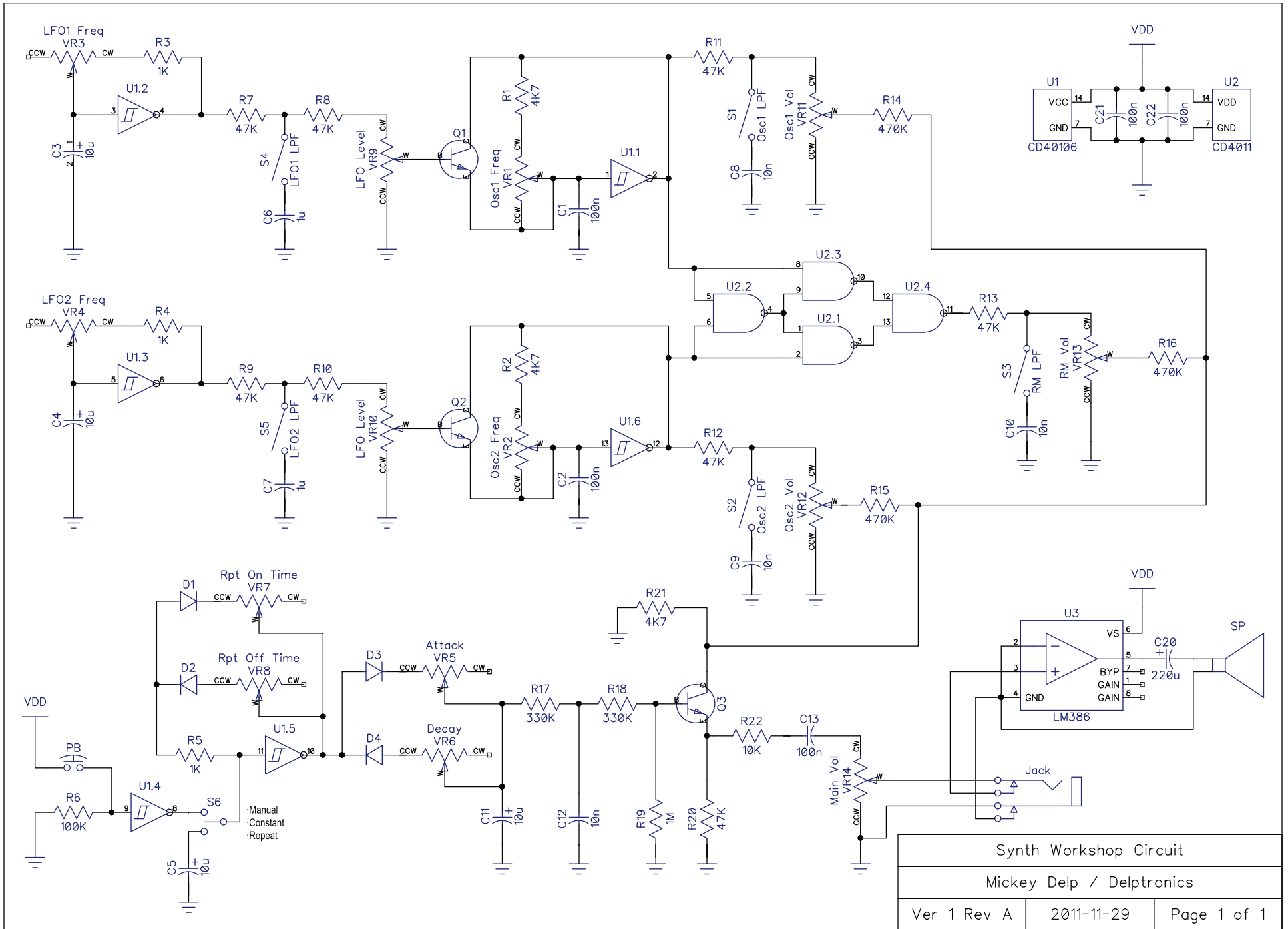
Bill of Materials

<u>Quantity</u>	<u>Part</u>	<u>Marking</u>
1	Protoboard	
14	100K Linear Pots	
14	Knobs	
6	SPST Switches	
1	SPDT Center-off Switch	
1	SPST N.O. Pushbutton	
1	9V Battery Clip	
1	Speaker	
1	1/4" Double Switched Jack	
1	8 pin Chip Socket	
2	14 pin Chip Socket	
1	CD40106 Chip	
1	CD4011 Chip	
1	LM386 Chip	
3	2N3904 Transistors	
4	1N4148 Diodes	
1	220 uF Electrolytic Cap	
1	100 uF Electrolytic Cap	
4	10 uF Electrolytic Caps	
2	0.047 uF Ceramic Caps	473
4	0.01 uF Ceramic Caps	103
4	0.1 uF Ceramic Caps	104
2	1 uF Ceramic Caps	105
3	1K Resistors	 Brn Blk Blk Brn Brn
3	4.7K Resistors	 Ylw Vlt Red Red
1	10K Resistor	 Brn Blk Blk Red Brn
8	47K Resistors	 Ylw Vlt Orn Gld
1	100K Resistor	 Brn Blk Ylw Red
2	330K Resistors	 Orn Orn Ylw Red
3	470K Resistors	 Ylw Vlt Ylw Red
1	1M Resistor	 Brn Blk Grn Red
11	Jumper Wires	
24'	Control panel hookup wire (not included)	

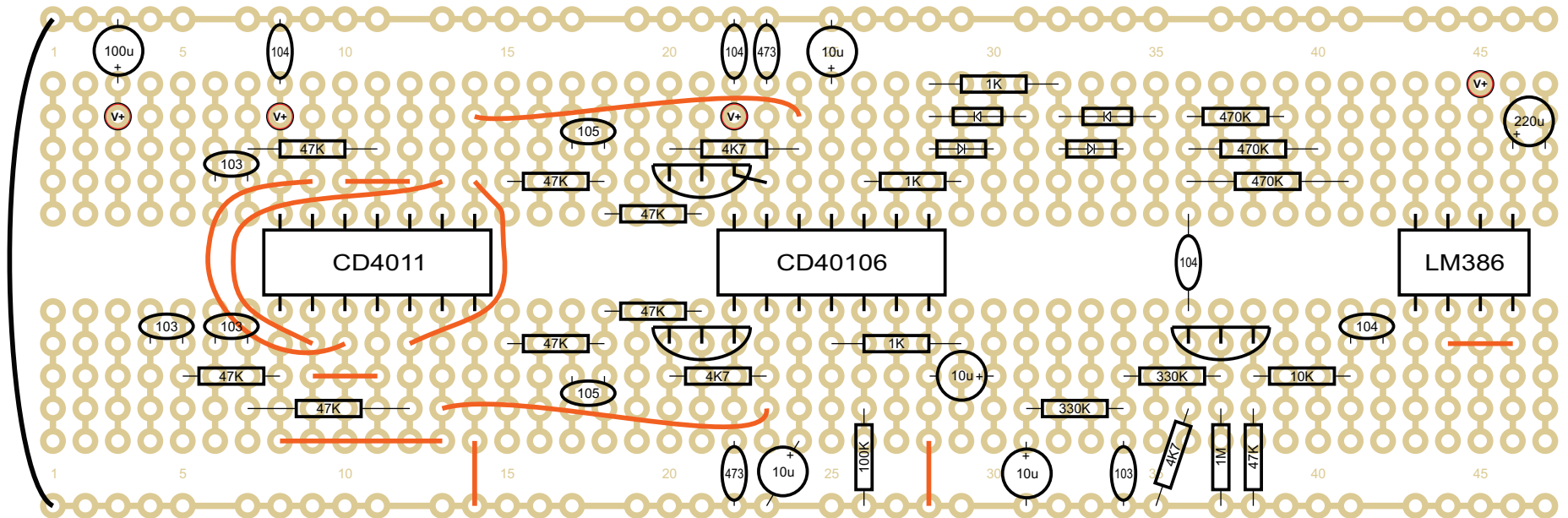
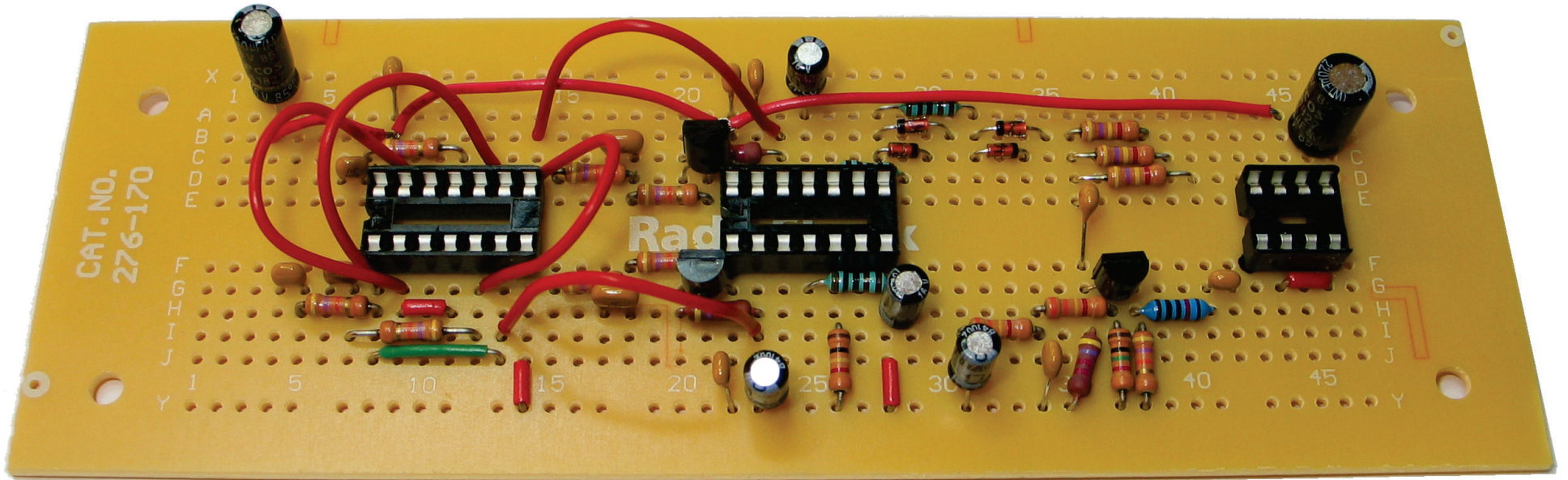
Suggested layout of control panel as seen from the underside



Switched On / Deltronics Synth Building Workshop

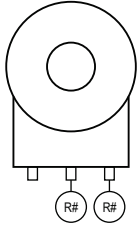


Switched On / Delptronics Synth Building Workshop

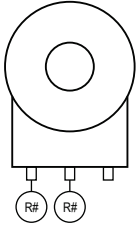


Switched On / Deltronics Synth Building Workshop

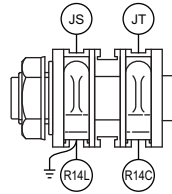
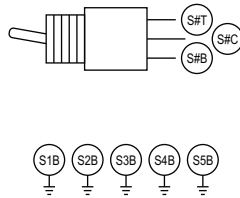
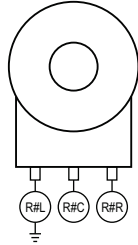
R1 - R4



R5 - R8



R9 - R14



Board Connections

- R1 Osc1 Frequency
- R2 Osc2 Frequency
- R3 LFO1 Frequency
- R4 LFO2 Frequency
- R5 Attack
- R6 Decay
- R7 Repeater On Time
- R8 Repeater Off Time
- R9 LFO1 Level
- R10 LFO2 Level
- R11 Osc1 Volume
- R12 Osc2 Volume
- R13 RingMod Volume
- R14 Main Volume

Board Connections

- S1 O1 LPF
- S2 O2 LPF
- S3 RM LPF
- S4 LFO1 Shape
- S5 LFO2 Shape
- S6 Repeater on/off/on
- S7 Power
- PB Pushbutton
- SP Speaker
- J Jack

